

Intellian® FB250

Compact Marine FleetBroadband Antenna Systems



Small global maritime terminal

Weighing just 7.27 lbs and 15 inch high, the Intellian FB250 is a compact FleetBroadband maritime terminal.

Matching dome solutions

FB250 ships with an Intellian i2 dome as a standard, but various dome sizes are also available to match an Intellian i3, i4 or i6 domes. Now you can select a perfectly matched dome for the best and balanced appearance on your vessel.

Reliable hardware

Operating on the Inmarsat FleetBroadband Satellite Systems and reliable mechanic construction approved to Intellian standards, you can be confident of both the quality of the equipment and the support behind it.

IP Handset

The rugged new plug-and-play IP Handset provides an intuitive user interface with a 2" TFT color screen and mobile phone type keys for making phone calls, texting SMS messages just like on shore.

Built-in Wi-Fi

With the standard built-in Wi-Fi feature, the web-based user interface can be accessed via any web browser including Wi-Fi enabled Smartphones via the FB 250's secure Wi-Fi (WLAN). The Wi-Fi connection also offers wireless Push-to-Talk (PTT) service to Smartphone users using free PTT apps downloadable from Smartphone (e.g. Zello) without having to add any additional hardware to the terminal.

Simultaneous voice and data access

With 284kbps data rates, FB250 provides simultaneous access to data services, voice and text messaging.



Optional radome sizes

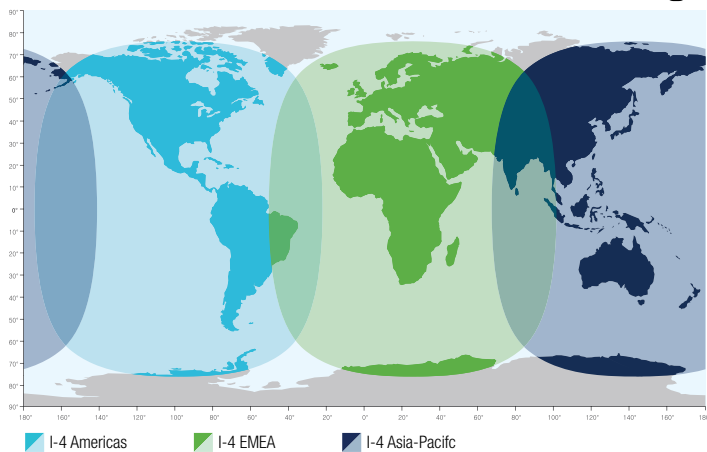
Intellian® FB250

Compact Marine FleetBroadband Antenna Systems

Technical Specifications

| Physical | |
|------------------------------|--|
| ADU Dimensions | 30.5 cm x 33.1 cm / 12" x 13" |
| ADU Weight | 3.3kg / 7.27lbs |
| BDU Dimensions | 36cm x 25cm x 6.7cm / 14.1" x 9.8" x 2.6" |
| BDU Weight | 3.9kg / 8.5lbs |
| Environmental Conditions | |
| Operating Temp. Range | -25°C to +55°C / -13°F to +131°F |
| Operating Humidity | [ADU] EN60945, [BDU] 95% non-condensing at +40°C |
| Water Ingress | [ADU] IP56, [BDU] IP31 |
| Approvals | Inmarsat FleetBroadband/ R&TTE/ CE/ FCC |
| Warranty | 3 years parts and 1 year labor |
| Global Services | |
| Voice | Digital 4kbps Voice, 3.1kHz Audio |
| Standard IP | Up to 284kbps |
| Streaming IP | 8, 16, 32, 64, 128kbps |
| SMS | Up to 160 characters (3G standard) |
| Fax | Group 3 (via 3.1kHz Audio) |
| Airtime Service | Inmarsat airtime |
| Frequency Band | |
| Tx | 1626.5MHz~1675.0MHz |
| Rx | 1518.0MHz~1559.0MHz |
| Ch. Width | [Rx] 10.5~189kHz, [Tx] 21~189kHz |
| Power Supply and Consumption | |
| DC Input Range | 10.0~32.0V DC (isolated) |
| Power (max) | 150W @ 10.0~32.0V (including antenna) |

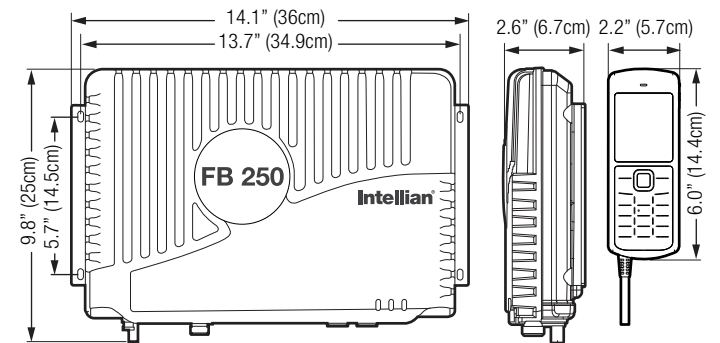
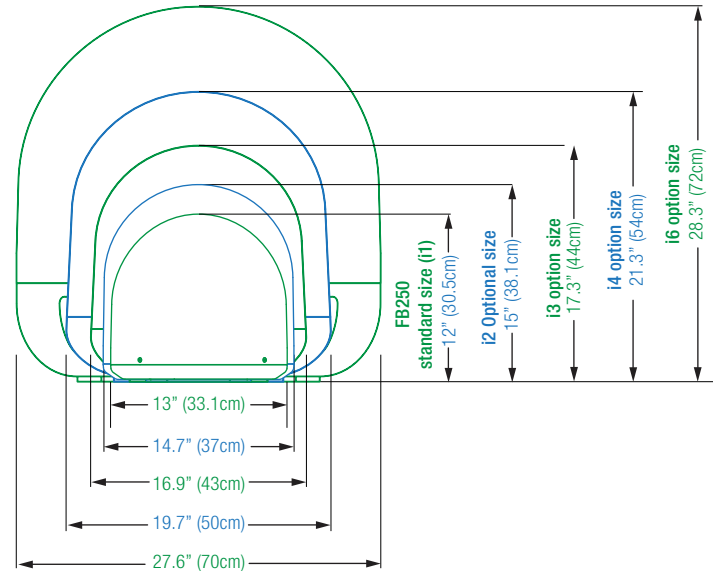
Inmarsat FleetBroadband Global Coverage



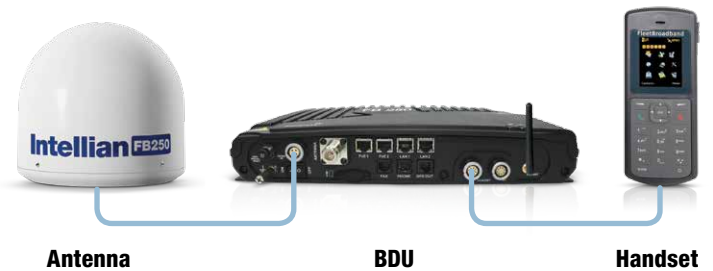
This map depicts Inmarsat's expectations of coverage, but does not represent a guarantee of service. The availability of service at the edge of coverage areas fluctuates depending on various conditions.

Systems Dimension

ADU (Above Deck Unit) Matching Dome Options



Systems Diagram



TOLL FREE 1-888-989-8199

1455 N. Dutton Suite A, Santa Rosa, CA 95401
 FAX 707-546-8198 • info@remotesatellite.com
 www.remotesatellite.com